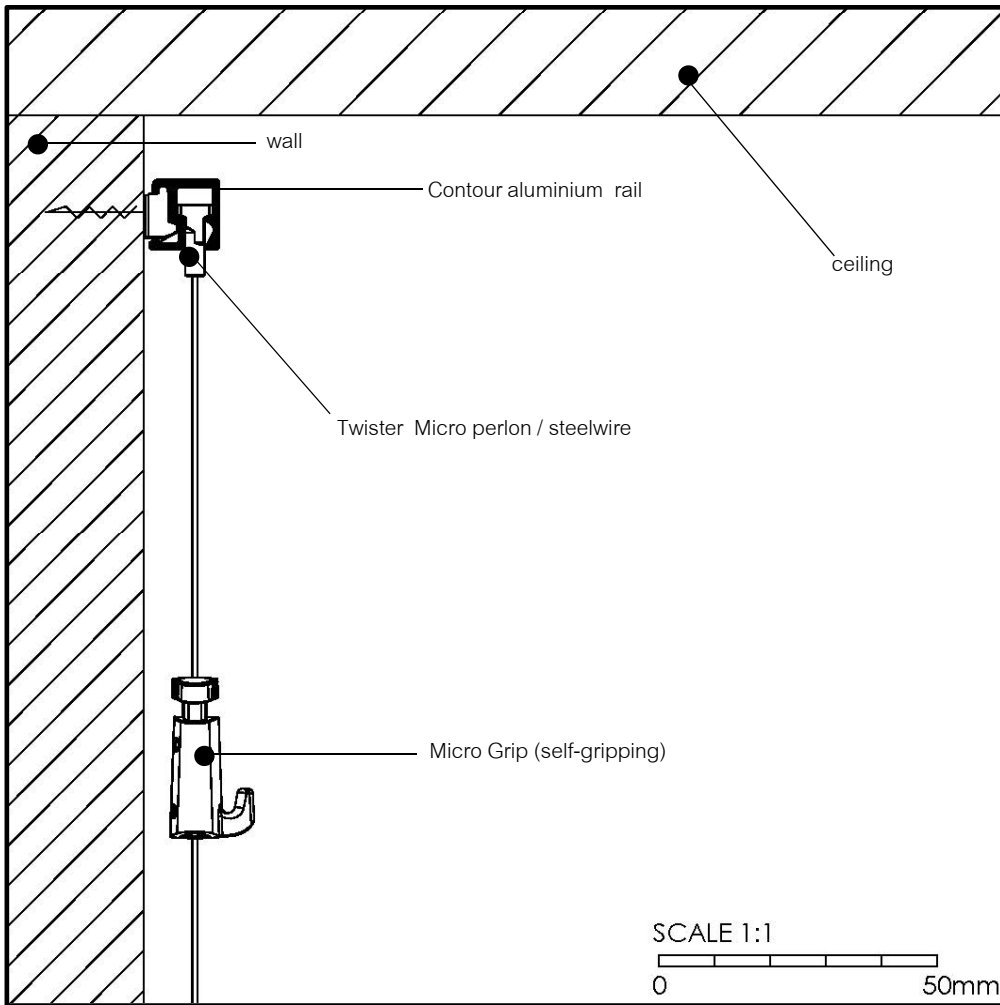
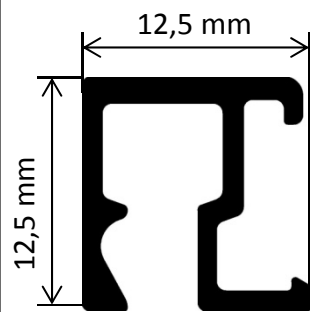


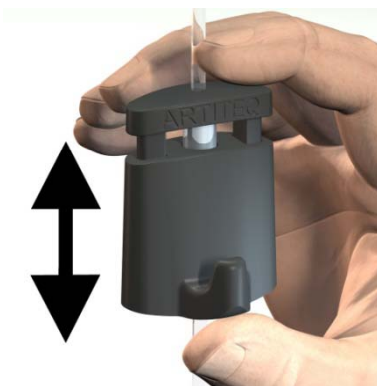
Contour



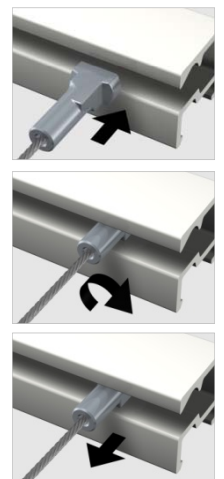
- wall rail
- applicable weight up to **20 kg/m**
- available in :
 - white primer (RAL 9016)
 - alu
 - available in any RAL colour



WWW.ARTITEQ.BY



TWISTER™



STATE OF THE ART HANGING SYSTEMS



www.artiteq.by - artiteq.by@gmail.com - +375 17 256 25 54
www.artiteq.com - +31 (0)13-572 90 70